

## PRODUCT SPECIFICATIONS

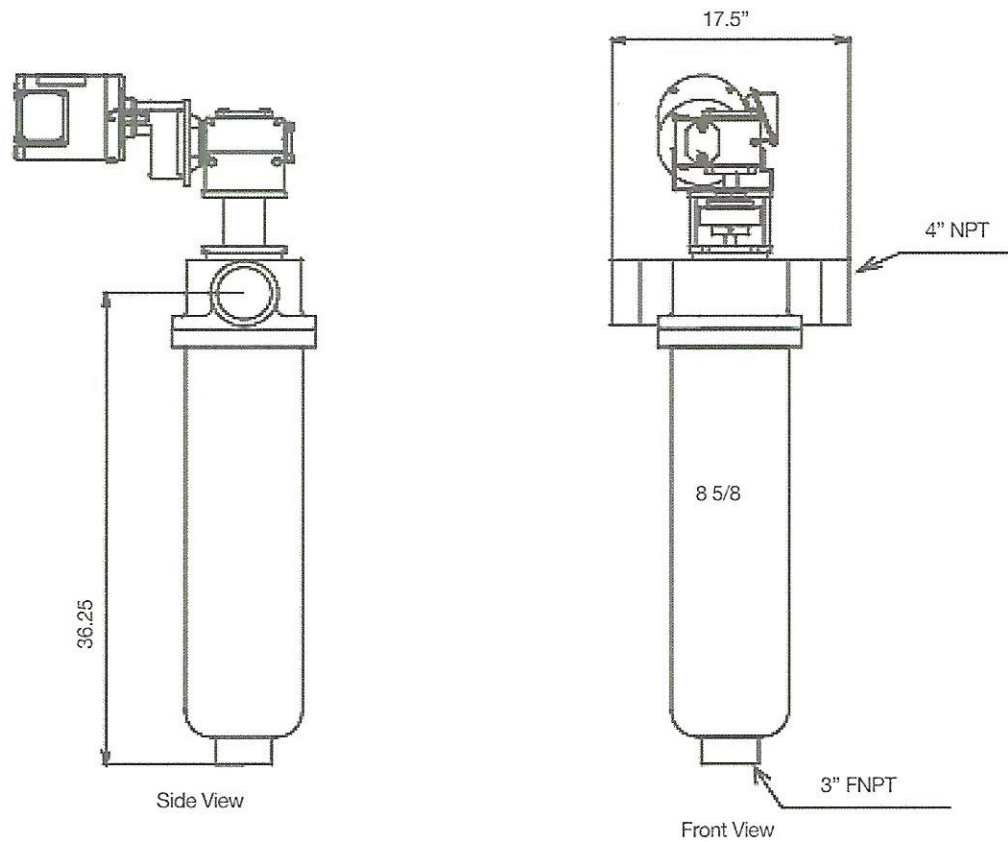
# GS-144-C INDUSTRIAL GRADE STRAINER

### STANDARD FEATURES

- 316-L Stainless Steel
- 3PH 1/2 HP Motor
- Wedgewire Screen
- PEEK Stationary
- Wiper Blade
- 4" NPT Inlet/Outlet
- 3" NPT Drain
- 150 PSI Rating
- 2-3 Week Lead Time

### AVAILABLE OPTIONS

- 1 PH, Air, XP
- Perforated Screen  
-Delrin, Bronze, Titanium
- 4" Flanged
- 3" Flanged
- Ratings to 400 PSI
- Mobile Stand
- Monthly Test Lease



800.801.4977

[www.spencerstrainer.com](http://www.spencerstrainer.com)