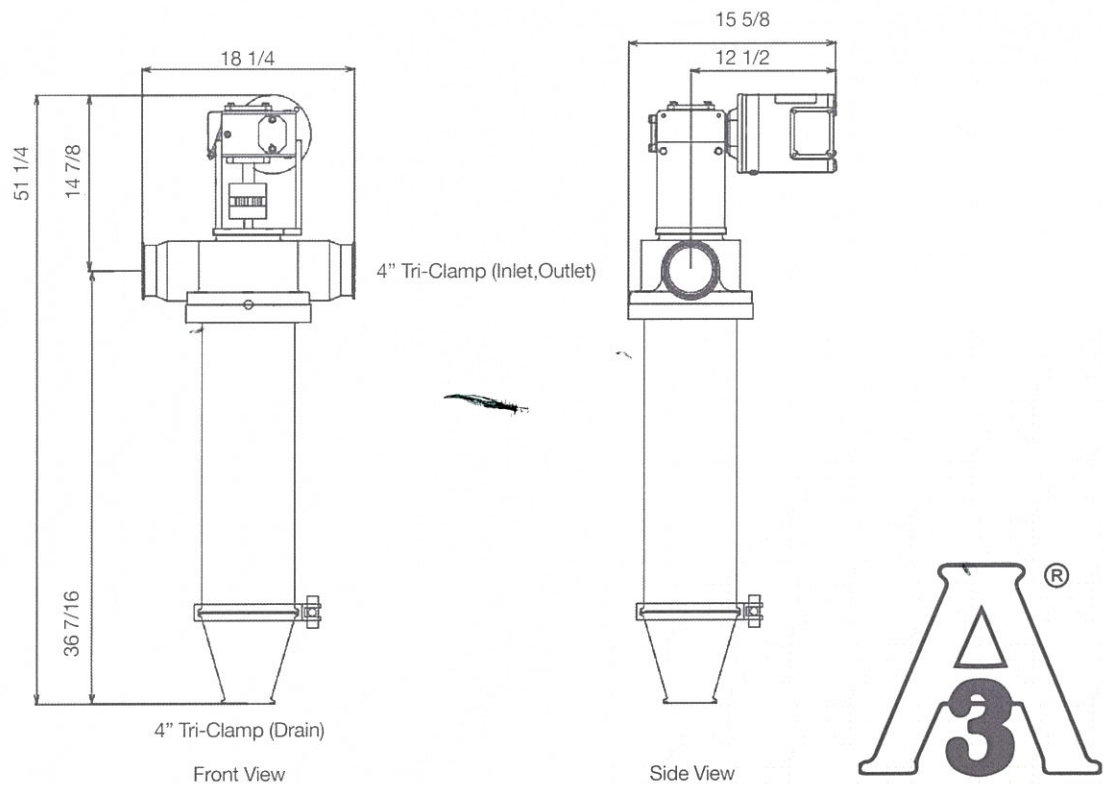


PRODUCT SPECIFICATIONS

GS-144-F-3A FOOD GRADE 3A STRAINER / DAIRY

STANDARD FEATURES

- 316-L Stainless Steel
- 3PH 1/2 HP Motor
- Wedgewire Screen
- Delrin Stationary Wiper Blade
- 4" Tri-Clamp Inlet/Outlet
- 3" Tri-Clamp Drain
- 150 PSI Rating
- 8-10 Week Lead Time



800.801.4977

www.spencerstrainer.com